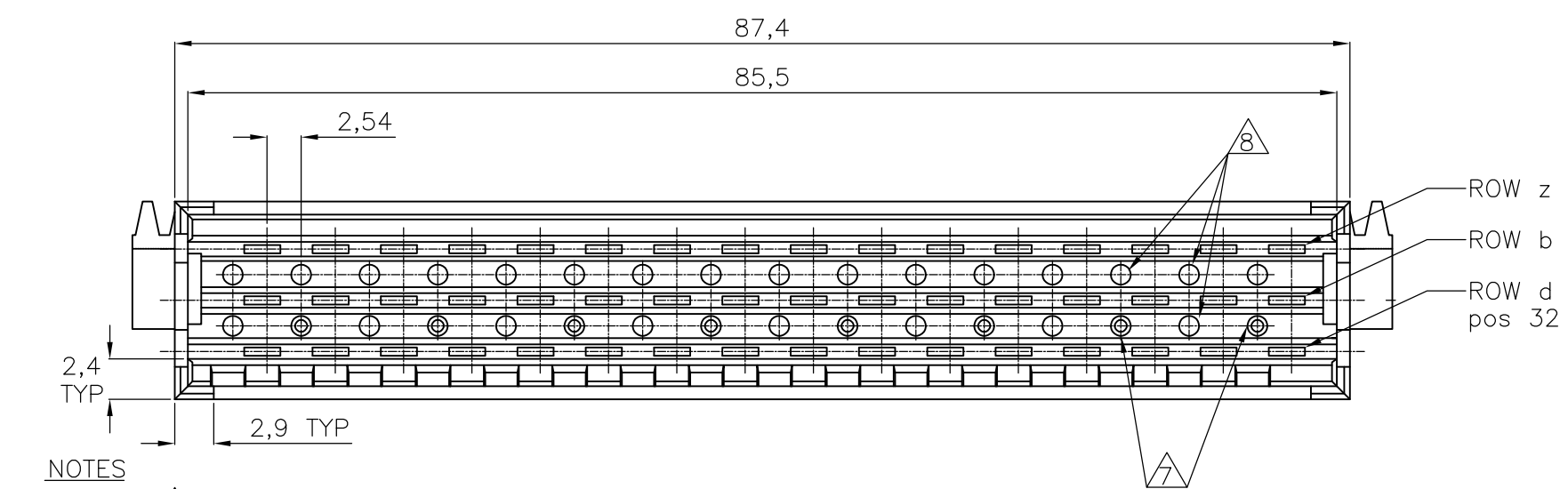
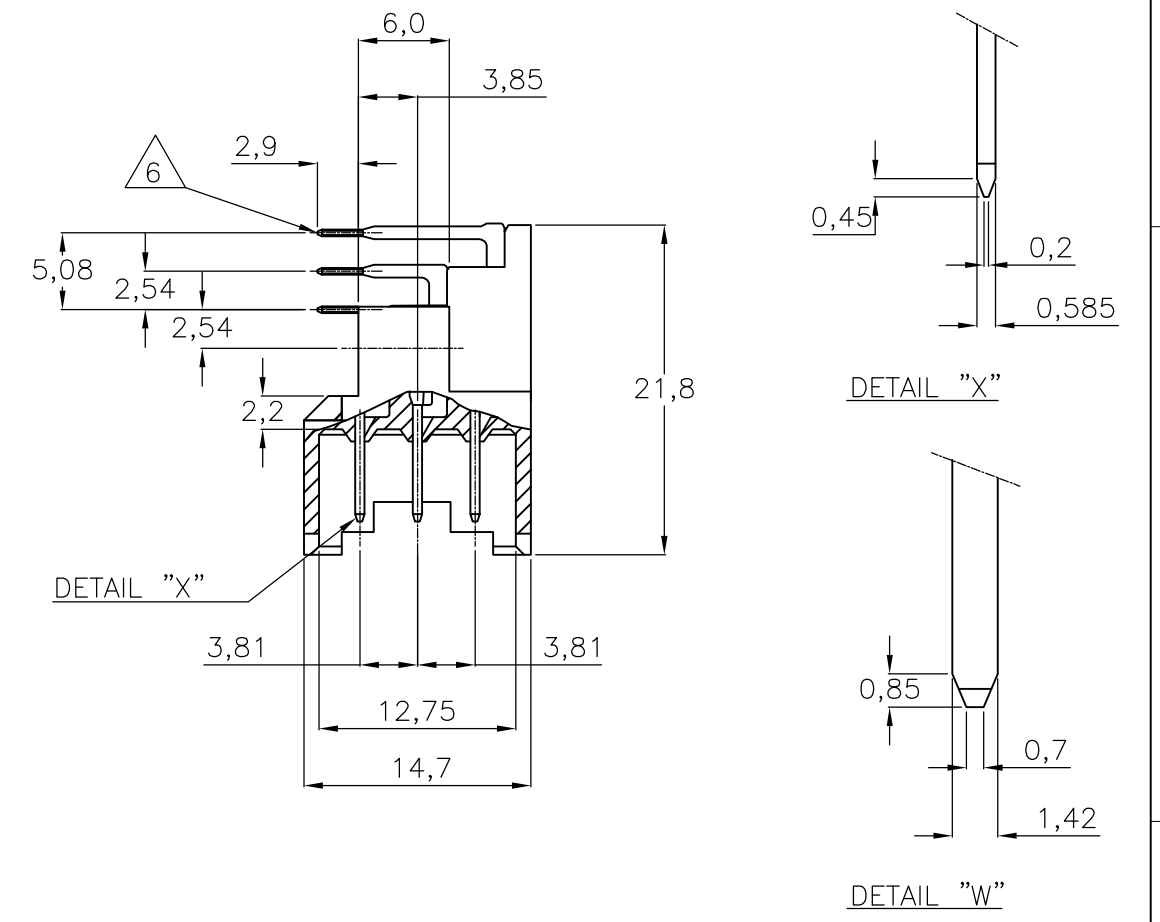
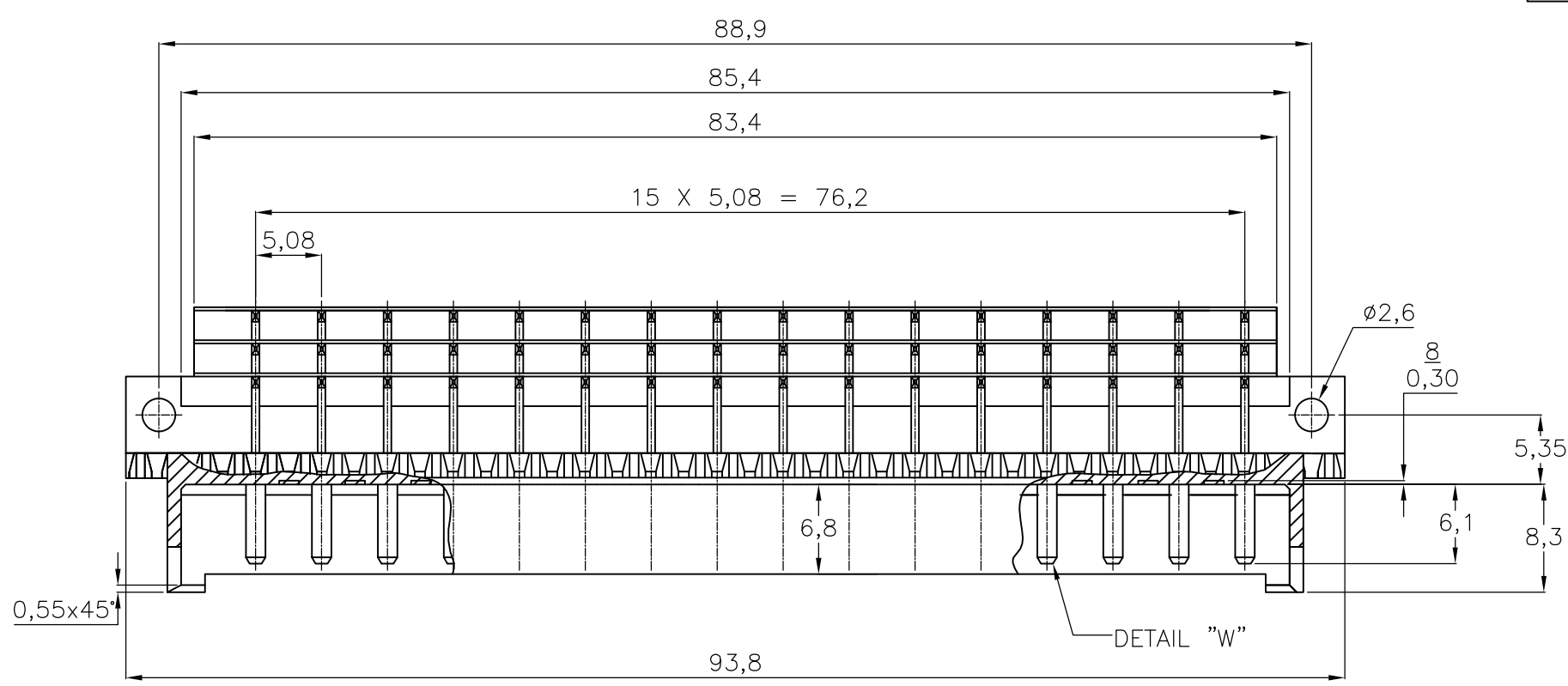


THIS DRAWING IS UNPUBLISHED. RELEASED FOR PUBLICATION
 © COPYRIGHT - BY TYCO ELECTRONICS CORPORATION. ALL RIGHTS RESERVED.

LOC	DIST	REVISIONS			
P	LTR	DESCRIPTION	DATE	DWN	APVD
H	-				
	U	EH-0855-97	04-08-97	J.G	-
	V	EH-0855-97	04-08-97	J.G	-
	W	ECR-07-011431	05-06-07	BSV	MKO



POS. NO	2	4	6	8	10	12	14	16	18	20	22	24	26	28	30	32
F 48 ROW z	x	x	x	x	x	x	x	x	x	x	x	x	x	x	x	x
F 48 ROW b	x	x	x	x	x	x	x	x	x	x	x	x	x	x	x	x
F 48 ROW d	x	x	x	x	x	x	x	x	x	x	x	x	x	x	x	x

AN ASTERISK „X” DENOTES A STANDARD CONTACT.

NOTES

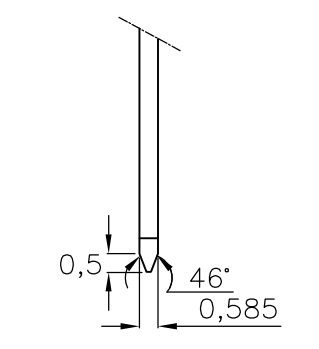
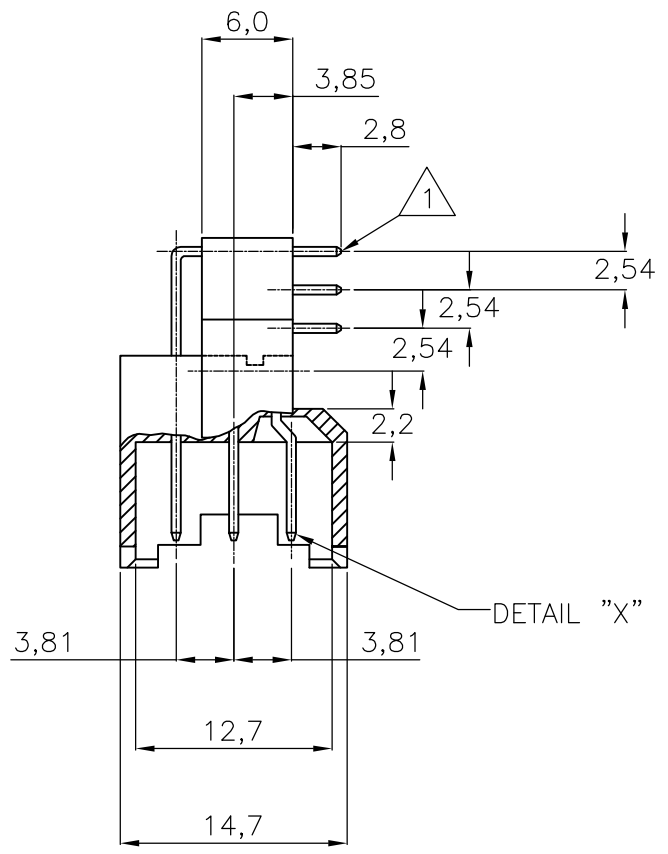
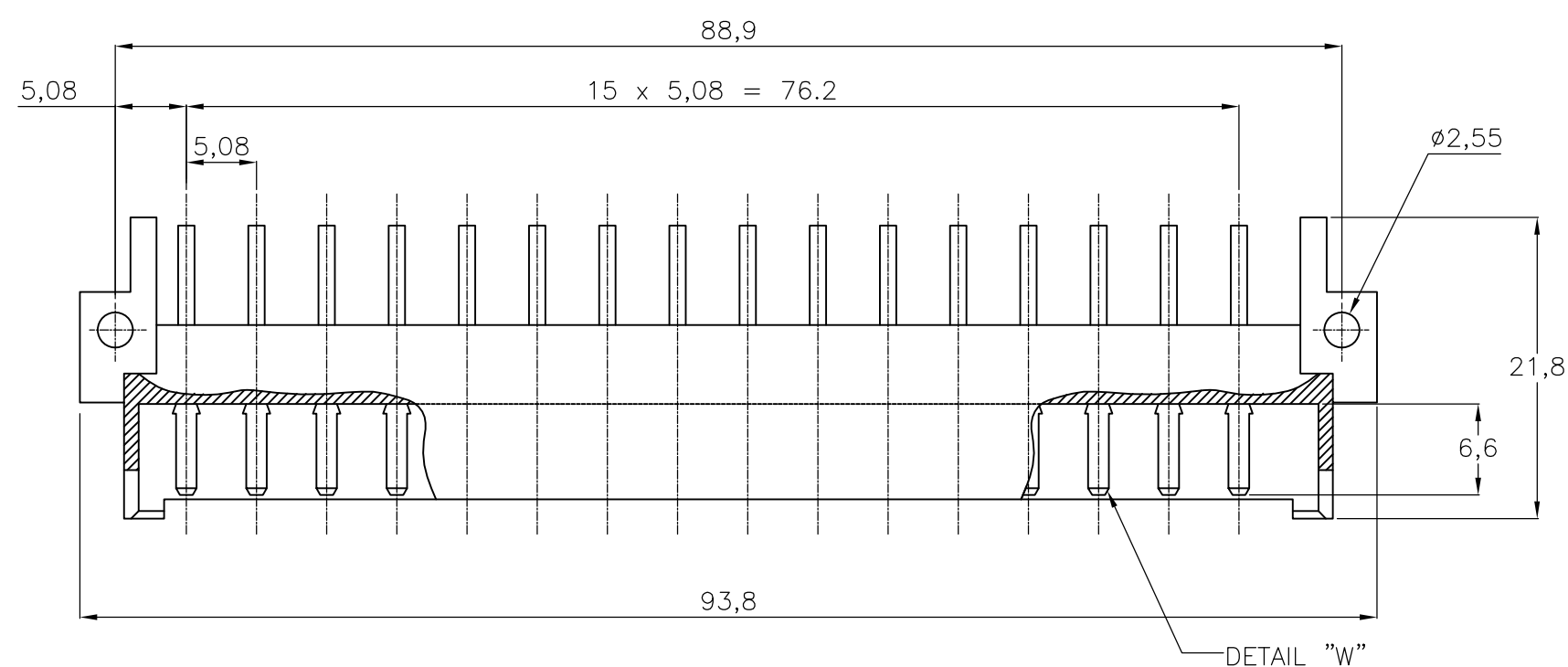
- 1 MATERIAL:
-HOUSING: THERMOPLASTIC POLYESTER, COLOR GREY.
-CONTACTS: BRASS.
- 2 PLATING CONTACT: 1,25 μm Au OVER 1,25 μm Ni IN CONTACT AREA.
Sn over 1,25 μm Ni ON SOLDER POST.
- 3 PLATING CONTACT: 0,8 μm Au OVER 1,25 μm Ni IN CONTACT AREA.
Sn over 1,25 μm Ni ON SOLDER POST.
- 4 PLATING CONTACT: 2,0 μm Au OVER 1,25 μm Ni IN CONTACT AREA.
Sn over 1,25 μm Ni ON SOLDER POST.
- 5 PLATING CONTACT: 0,4 μm Au OVER 1,25 μm Ni IN CONTACT AREA.
Sn over 1,25 μm Ni ON SOLDER POST.
- 6 SOLDER POSTS SUITABLE FOR P.C.B. HOLES
0,8+/-0,05 OR 1,0+/-0,1 DIA.
- 7 8 HOLES SUITABLE FOR KEYING PIN PN. 215916-1.
- 8 KEYING HOLES TO BE DRILLED BY CUSTOMER.

2--7 OBSOLETE	SEE NOTE 5	SEE NOTE 1	2-164045-8
	SEE NOTE 4		2-164045-7
	SEE NOTE 3		2-164045-4
	SEE NOTE 2		2-164045-1
	FINISH	MATERIAL	PART NUMBER

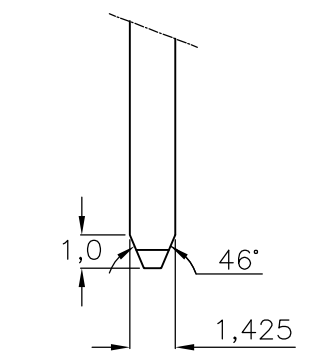
THIS DRAWING IS A CONTROLLED DOCUMENT.		DWN R.v.LOKVEN 27AUG91	Tyco Electronics Corporation 's-Hertogenbosch, Nederland	
DIMENSIONS: mm		CHK J.GIBBELS	NAME	
TOLERANCES UNLESS OTHERWISE SPECIFIED:		APVD -	48 POS. DIN 41612 F MALE 90° SOLDER CONNECTOR	
0 PLC ± -		PRODUCT SPEC -	SIZE	CAGE CODE
1 PLC ± -		APPLICATION SPEC -	DRAWING NO	
2 PLC ± -		WEIGHT -	RESTRICTED TO	
3 PLC ± -		A3 00779 C-164045		
4 PLC ± -		CUSTOMER DRAWING		
ANGLES ± -		SCALE NTS		
FINISH -		SHEET 1 OF 2		
		REV W		

THIS DRAWING IS UNPUBLISHED. RELEASED FOR PUBLICATION
 © COPYRIGHT - BY TYCO ELECTRONICS CORPORATION. ALL RIGHTS RESERVED.

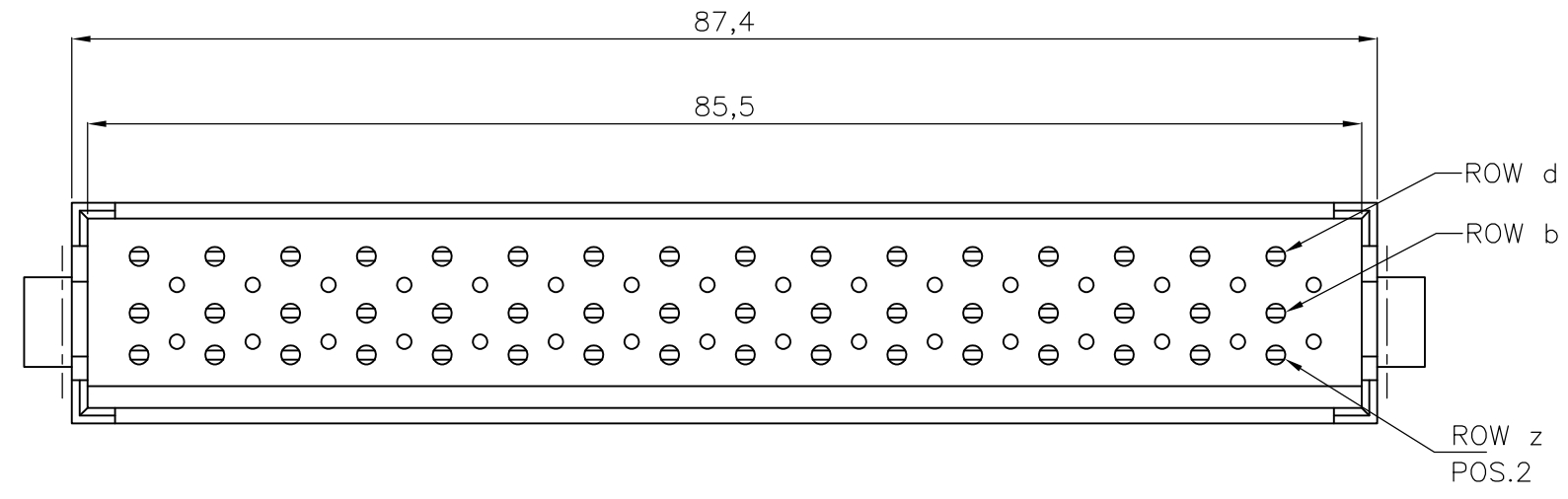
LOC	DIST	REVISIONS					
H	-	P	LTR	DESCRIPTION	DATE	DWN	APVD
				-SEE SHEET NO 1-			



DETAIL "X"



DETAIL "W"



9 PLATING CONTACT: 1,25 μm Au OVER 1,25 μm Ni IN CONTACT AREA.
 Sn over 1,25 μm Ni ON SOLDER POST.
 10 PLATING CONTACT: 0,8 μm Au OVER 1,25 μm Ni IN CONTACT AREA.
 Sn over 1,25 μm Ni ON SOLDER POST.

SEE NOTE 10	SEE NOTE 1	9-164045-4
SEE NOTE 9		9-164045-1
FINISH	MATERIAL	PART NUMBER

POS. NO	2	4	6	8	10	12	14	16	18	20	22	24	26	28	30	32
F 48 ROW	x	x	x	x	x	x	x	x	x	x	x	x	x	x	x	x
	x	x	x	x	x	x	x	x	x	x	x	x	x	x	x	x
	x	x	x	x	x	x	x	x	x	x	x	x	x	x	x	x

AN ASTERISK „X” DENOTES A STANDARD CONTACT.

THIS DRAWING IS A CONTROLLED DOCUMENT.

DWN J.GIBBELS	04AUG97	Tyco Electronics Corporation 's-Hertogenbosch, Nederland	
CHK J.GIBBELS		NAME	
APVD -		48 POS. DIN 41612 F MALE 90° SOLDER CONNECTOR	
PRODUCT SPEC -		SIZE A3	CAGE CODE 00779
APPLICATION SPEC -		DRAWING NO	G-164045
WEIGHT -		RESTRICTED TO	-
MATERIAL -	FINISH -	CUSTOMER DRAWING	SCALE NTS
		SHEET 2 OF 2	REV W